

IP-TD-2M-P-F

Bi-spectrum Compact Network Camera



Destaques

- 256 × 192 (a resolução de saída de imagem é 704 × 576)
- Suporta 3 tipos de medidas de temperatura (pontual, linha, área)
- Faixa de temperatura: -20°C até 150°C ou 0 °C to 550 °C
- Precisão: ±2°C, ±2%
- Função de alarme de exceção de temperatura confiável
- Luz de Alerta e Microfone embutidos
- Suporte magnético para caixa de distribuição de energia
- IP67
- Tem proteção de surto de 6 kV, descarga aérea de 8 kV, e descarga de contacto de 8 kV



Specification

| Camera | Thermal | Visible |
|----------------------|--|--|
| Image Sensor | Vanadium Oxide Uncooled Focal Plane Arrays | 1/2.8" 2MP STARVIS CMOS |
| Resolution | 256(H) × 192(V) , Image can be scaled up to 704 × 576 | 1600(H) × 1200(V) |
| Pixel Pitch | 12µm | |
| Spectral Range | 8 to 14µm | |
| NETD | ≤ 60mK | |
| Min. Illumination | | Color: 0.05Lux @(F2.2, AGC ON), B/W: 0.005Lux @(F2.2, AGC ON), 0Lux with IR |
| Shutter Speed | | 1/5 to 1/20,000s |
| Focal Length | 2 mm, Fixed focal | 2.3 mm, Fixed focal |
| Max. Aperture | F1.1 | F2.2 |
| Focus Control | Fixed | Fixed |
| Angle of View | H: 90°, V: 65° | H: 100°, V: 75° |
| IVS | | |
| Analysis Event | Fire spot detection | Smoke and flame detection |
| Video and Audio | | |
| Main Stream | D1 (704×576) @25fps | 1600×1200, 1280×720 @25fps |
| Sub Stream | CIF, 256×192 @25fps | D1, VGA, 640×360, CIF, QVGA @25fps |
| Frame Rate | H.265/H.264: 1 fps to 25 fps, 25 fps by default MJPEG: 12 fps | H.265/H.264: 1 fps to 25 fps, 25 fps by default MJPEG: 12 fps |
| Bit Rate | Main Stream: 10 Kbps to 6 Mbps, Sub Stream: 10 Kbps to 1.5 Mbps | Main Stream: 100 Kbps to 8 Mbps Sub Stream: 10 Kbps to 6 Mbps |
| Bit Rate Control | CBR/VBR | CBR/VBR |
| Smart Encode | Support | Support |
| Audio Compression | G.711 A-law, G.711 µ-law, RAM PCM | G.711 A-law, G.711 µ-law, RAM PCM |
| Image | | |
| Image Setting | Brightness, Contrast, Sharpness | Brightness, Saturation, Contrast, Sharpness |
| Mirror | Horizontal / Vertical / Horizontal+Vertical | Horizontal / Vertical / Horizontal+Vertical |
| Pseudo-color Setting | Up to 17 colors (White-hot / Black-hot / Rainbow / Iron red / HSV / Bone / Cool / Copper / Fire-hot / Pink / Spring / Summer / Autumn / Winter / Jet / Flame / Rose -Bengal) | |
| FFC Control | Auto / Manual | |

| | | |
|---|---|---|
| Gain Control | | Auto / Manual |
| White Balance | | Auto / Tungsten / Fluorescent / Daylight / Shadow |
| Day/Night | | Day mode / Night mode / Time |
| Noise Reduction | 2D/3D DNR | 2D/3D DNR |
| Image Enhancement | | WDR, HLC, BLC |
| Wide Dynamic Range | | True WDR 120dB |
| OSD | Up to 8 OSD | Up to 8 OSD |
| Privacy Masking | Up to 4 areas | Up to 4 areas |
| Illuminator | | Type: - White light Range: -0.3 m distance: 0.8×0.8 m, -1 m distance: 1.8×1.2 m |
| Thermal Function | | |
| Temperature Range | -20°C to 150°C (-4°F to 302°F) or 0 °C to 550 °C (32°F to 1022 °F) | |
| Accuracy | ±2°C / ±2% | |
| Temperature Detection | 3 temperature measurement rule types, 20 rules in total, 1 full screen, 19 others (spot, areas, line). | |
| Temperature Display | Display in the lower left corner, follow the cursor display of the highest temperature, lowest temperature or average temperature | |
| Image Fusion | Fusion view of thermal view and overlaid details of the optical channel | |
| Temperature Measurement Distance (0.1×0.1m) | 3 m | |
| Event | | |
| Alarm Triggers | IVS, Temperature anomaly, Motion detection, Alarm Input, Disk alarm, Network anomaly alarm, Abnormal sound detection | |
| Event Actions | Alarm output, Recording, SMTP, FTP upload, Flashlight alarm, Audible alarm output | |
| Network | | |
| Protocols | IPv4/IPv6, HTTP/HTTPS, DNS, DDNS, DHCP, PPPOE, RTSP/RTP/RTCP, TCP/UDP, NTP, ARP, UPnP, FTP, SMTP, QoS, 802.1x, SNMP, Multicast | |
| Compatible Integration | ONVIF (Profile S/T/G/M), CGI, SDK | |
| Max Concurrent Streams | 10 channels | |
| User/Host Level | 32+ users, 3 levels: Administrator, Operator, Media user | |
| Security | IP address filter, HTTPS, Illegal login lock, IEEE 802.1x | |
| Web Viewer | <IE11, Chrome, Firefox, Microsoft Edge | |
| Interface | | |
| Network Interface | 1 Ethernet (10/100 Base-T) RJ-45 Connector | |

| | |
|-----------------|---|
| Built-in Mic | Support |
| Alarm Interface | 1ch input, 1ch output |
| RS-232 | 1 |
| RS-485 | 1 |
| Reset Button | Support |
| SD Card Slot | Support Micro SD/HCSD card, up to 512GB |

General

| | |
|----------------------------------|--|
| Language | English, Chinese, Traditional Chinese, Polish, Italian, Portuguese, Spanish, Russian, French, Czech, Hungarian, Japanese, Korean. Default: English |
| Power Supply | 12 VDC \pm 20%/PoE (802.3af) |
| Power Consumption | Max 3 W |
| Working Temperature and Humidity | -30°C to 60°C (-22°F to 140°F) Less than 90% RH |
| Storage Conditions | Less than 90% RH |
| Certifications | CE-EMC - EN 55032, EN IEC 61000-3-2, EN 61000-3-3, EN 55035 FCC 47 CFR Part 15 Subpart B |
| Material | Metal |
| Mounting | Bracket mount, Magnetic mount |
| Dimensions | 55 × 118 × 36 mm (2.17 × 4.65 × 1.42 inch) |
| Net Weight | Without Cable: 0.3 Kg (0.66 lb) With Cable: 0.44 Kg (0.97 lb) |

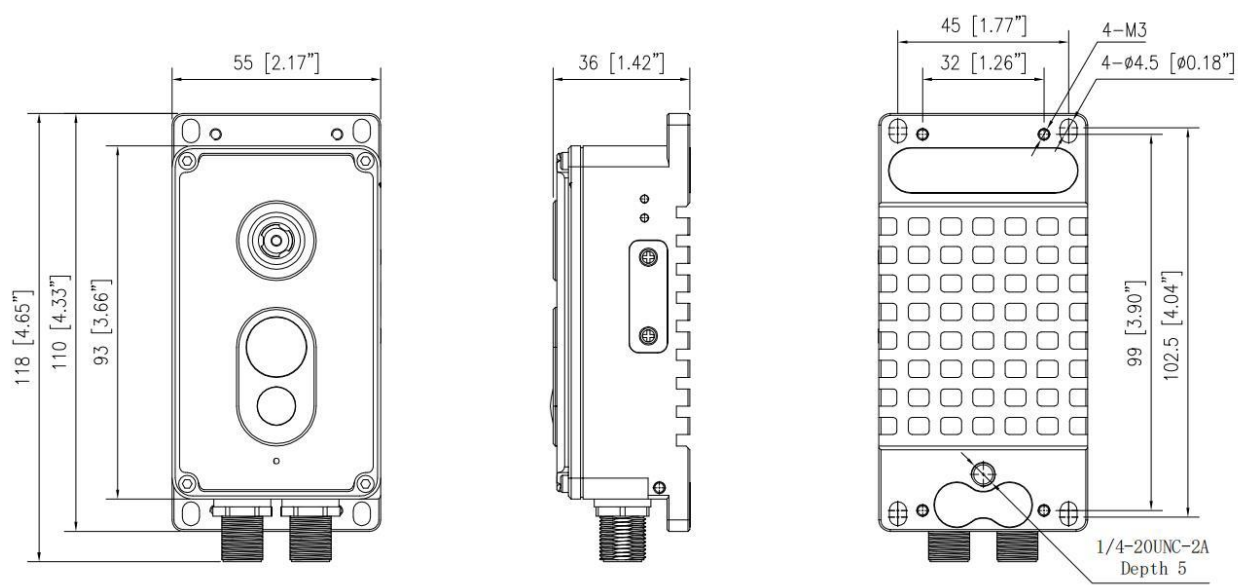
Physical Characteristics

| | |
|----------------------|--|
| Ingress Protection | IP67 |
| Reliability | Surge protection: 6 kV, Air discharge: 8 kV, Contact discharge: 8 kV |
| Shock Resistance | 25g (IEC60068-2-29) |
| Vibration Resistance | 2g (IEC 60068-2-6) |

Ordering Information

| Model | Description |
|-------------|--|
| SN-D2P-F2.0 | Thermal Focal Length: 2.0mm, Optical Focal Length: 2.3mm |

Dimensions (mm)



Accessories

Included: